

# Meet

## DINO 160XTB II

### DINO® TRAILER MOUNTED MEWPs

#### Standard features in DINO 160XTB II:

- Maximum outreach with full basket load
- Compact size, transport length only 6.15 m
- Driving system; easy to move at work site
- Cable steering for driving
- Hydraulic basket rotation 180°
- Spacious, easy-entry basket; capacity 215 kg
- Large outrigger pads 280 x 360 mm
- Continuous rotation of the boom; easy and functional
- Stable to tow
- Easy and fast setup; perfect solution for short time jobs
- Simple to use, clear and informative controls
- Powerful charger; machine can be operated directly when charging the batteries
- High-capacity batteries, 4 x 6VDC, 235Ah  
Work one day with overnight charge

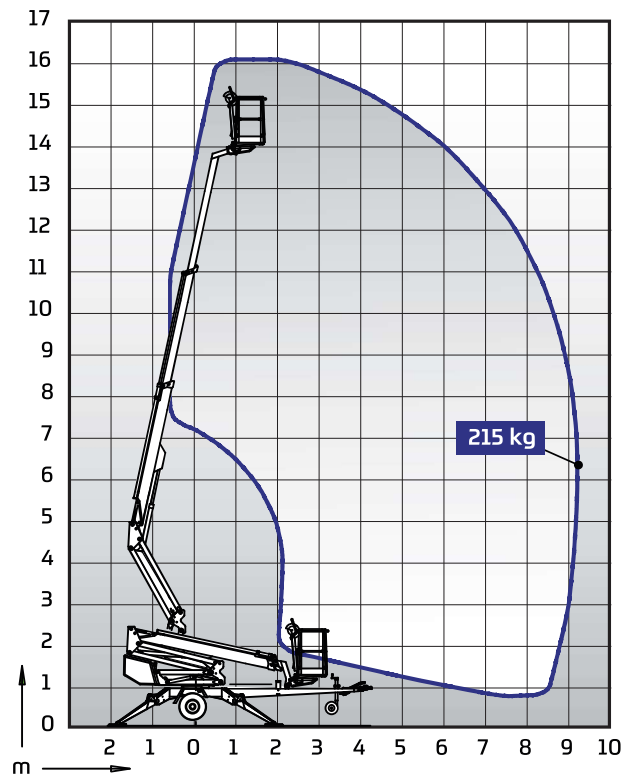


#### Options available for DINO 160XTB II:

- Two joystick controls
- Outrigger support indicator
- Automatic levelling
- LED working lights
- Extra outrigger pads 500 x 500 x 35 mm + bracket
- Lockable tool / harness box
- Rack for tools and accessories
- Spare wheel
- DINO SafeGuard secondary guarding
- 2kW Honda generator + bracket for charging batteries where 230VAC is not available

#### Technical data

|                             | 160XTB II   |
|-----------------------------|-------------|
| Max. working height         | 16.00 m     |
| Max. platform height        | 14.00 m     |
| Max. outreach               | 9.10 m      |
| Support width               | 3.8 / 4.2 m |
| Lifting capacity            | 215 kg      |
| Basket size                 | 0.7 x 1.3 m |
| Boom rotation               | cont.       |
| Basket rotation             | 180°        |
| Boom control                | proport.    |
| Transport length            | 6.15 m      |
| Transport width             | 1.80 m      |
| Transport height            | 2.31 m      |
| Weight                      | 2195 kg     |
| Driving system              | std         |
| AC socket in the basket x 2 | std         |
| Batteries 235 Ah            | std         |
| DC Motor                    | std         |
| Gradeability                | 25 %        |



# DINOLIFT

UP TO THE JOB

DINOLIFT Oy | Raikkolantie 145 • FI-32210 LOIMAA, FINLAND

Tel: +358 (0)20 1772 400 • E-mail: info@dinolift.com

Read more: [www.dinolift.com](http://www.dinolift.com)

Technical specifications are subject to change without prior notice.

©Dinolift Oy | 23.5.2017